

GXL-GC Sliding Glass Door System

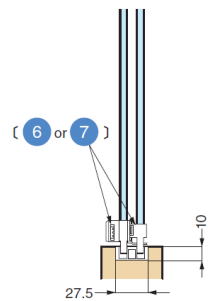
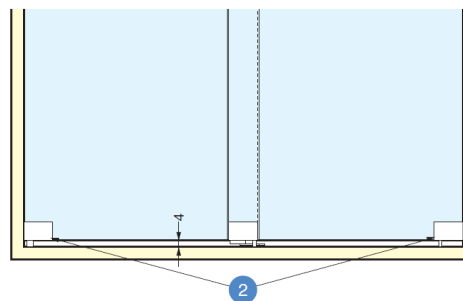
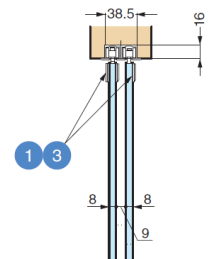
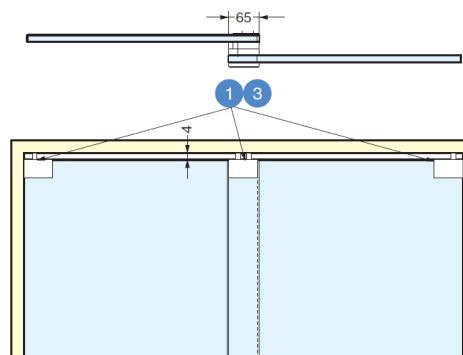
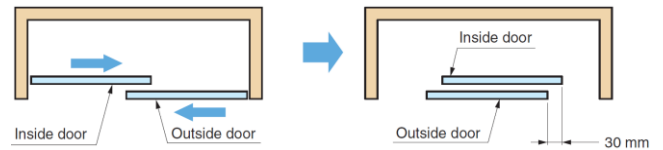
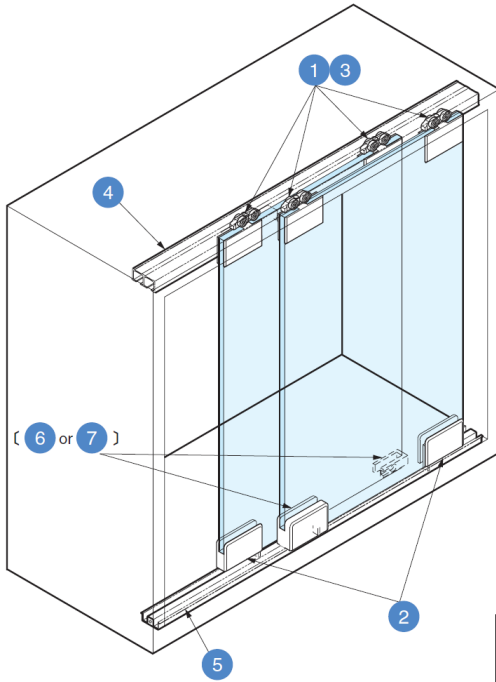


Door Width	Max. 500 mm
Door Height	Max. 1200 mm
Glass Thickness	8 mm
Glass Weight	Max. 12 kg / Door
Door Type	☐ 2 Sliding Inset Door

Total solution for coherent design of glass showcase

Features

- See the cut out dimensions on page 3: **GXL-GC03, GXL-GC06, GXL-GC08**



Sliding Door Parts		Necessary Parts		
		For 2 sliding doors, ① 1 set, ② 1 set and ③ 4 pcs are necessary.		
No.	Item Code	Part Name	Dimensions	Description
①	GXL-GC06-CR	Upper Bracket (with Hanger Bolt) 	See dimension on following pages (GXL-GC06-CR)	<ul style="list-style-type: none"> Material: Zinc Alloy (ZDC) Finish: Chrome
②	GXL-GC08-CR	Bottom Guide 	See dimension on following pages (GXL-GC08-CR)	<ul style="list-style-type: none"> Material: Zinc Alloy (ZDC) Finish: Chrome
③	G53-3061-081	Roller (drawing 1) 	(drawing 1) 	<ul style="list-style-type: none"> Material: Zinc Alloy (ZDC) Body: Zinc Alloy (ZDC) Roller: Polyacetal (POM)
③	G57-3149-071	(drawing 2) 	(drawing 2) 	<ul style="list-style-type: none"> Material: Zinc Alloy (ZDC) Polyacetal (POM) Finish: Zinc Chromate

Rail		Necessary Parts		
		④ 1 pc and ⑤ 1 pc		
No.	Item Code	Part Name	Dimensions	Description
④	GXL-GC06-UL1200	Upper Rail (1200 mm) (drawing 1) Pitch End : 50 mm Pitch : 150 mm	(drawing 1) 	<ul style="list-style-type: none"> Material: Aluminium Alloy Finish: Plain
④	GXL-GC06-UL1200N	(drawing 2) Pitch End : 75 mm Pitch : 150 mm	(drawing 2) 	<ul style="list-style-type: none"> Material: Aluminium Alloy Finish: Anodized
⑤	GXL-GC03-GL1200	Bottom Rail (1200 mm) 		<ul style="list-style-type: none"> Material: ABS Finish: Black

When the current stock of the roller ③ and upper rail ④ run out, their item names, codes, and shapes respectively will change to the specs featured in drawing 2. Please note that the old type and the new type can not be used together.

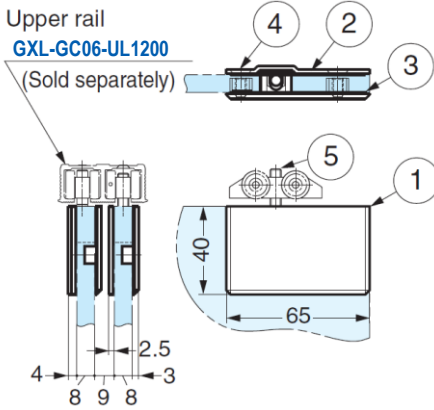
Sliding Door Lock		Necessary Parts		
		⑥ or ⑦ 1 pc		
No.	Item Code	Part Name	Dimensions	Description
⑥	GXL-GC03-CR-B (Keyed Differently)	Sliding Door Lock 	See dimension on following pages (GXL-GC03)	<ul style="list-style-type: none"> Material: Zinc Alloy (ZDC) Finish: Chrome Max. 24 key changes available.
⑦	GXL-GC03-CR-D (Keyed Alike)			

GXL-GC06 Upper Bracket

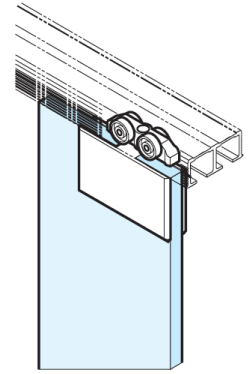
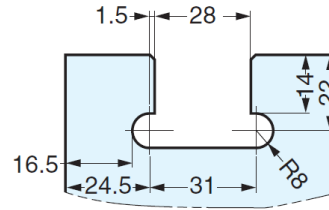
Features

- Upper bracket for glass sliding door
- Can be used with **GXL-GC03**

No	Part Name	Material	Finish/Colour
①	Body	Zinc Alloy (ZDC)	Chrome
②	Backplate	Steel	Chrome
③	Spacer	Rubber	Natural
④	Screws	Stainless Steel (SUS304)	Plain
⑤	Bolt	Steel	Clear Zinc Chromate



Cut Out Dimensions

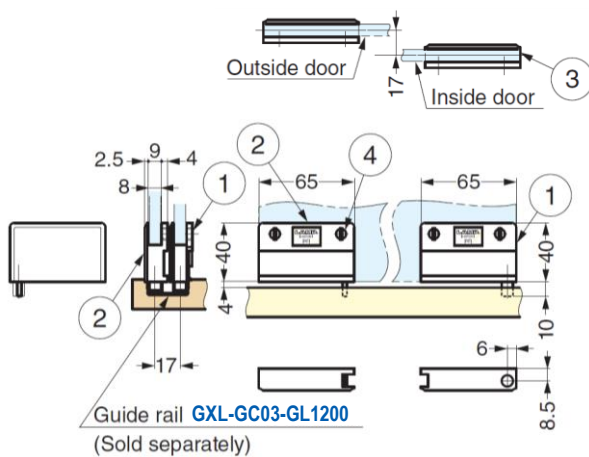


Part No.	Glass Thickness	Load Capacity (per door)	
GXL-GC06-CR	8	117.7 N	12 kg

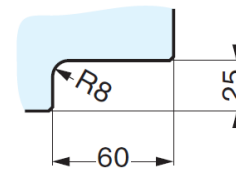
GXL-GC08 Bottom Guide Bracket

Features

- Upper bracket for glass sliding door
- Can be used with **GXL-GC03**



Cut Out Dimensions



No	Part Name	Material	Finish/Colour
①	Body (Left)	Zinc Alloy (ZDC)	Chrome
②	Body (Right)	Zinc Alloy (ZDC)	Chrome
③	Spacer	Rubber	Black
④	Screws	Stainless Steel (SUS304)	Plain

Part No.	Glass Thickness
GXL-GC08-CR	8

GXL-GC03 Glass Door Lock For Sliding Door

Features

- Non-handed
- Key hole located on the right side for a clean appearance and high security
- 24 key numbers available

Notes

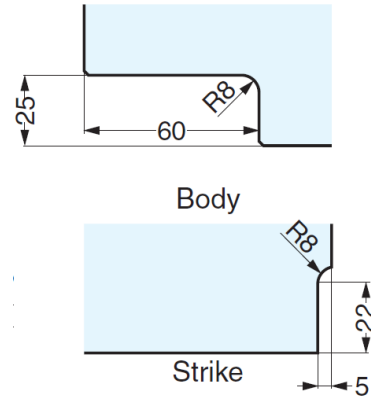
- Please order 1 pc for 2 doors

Option

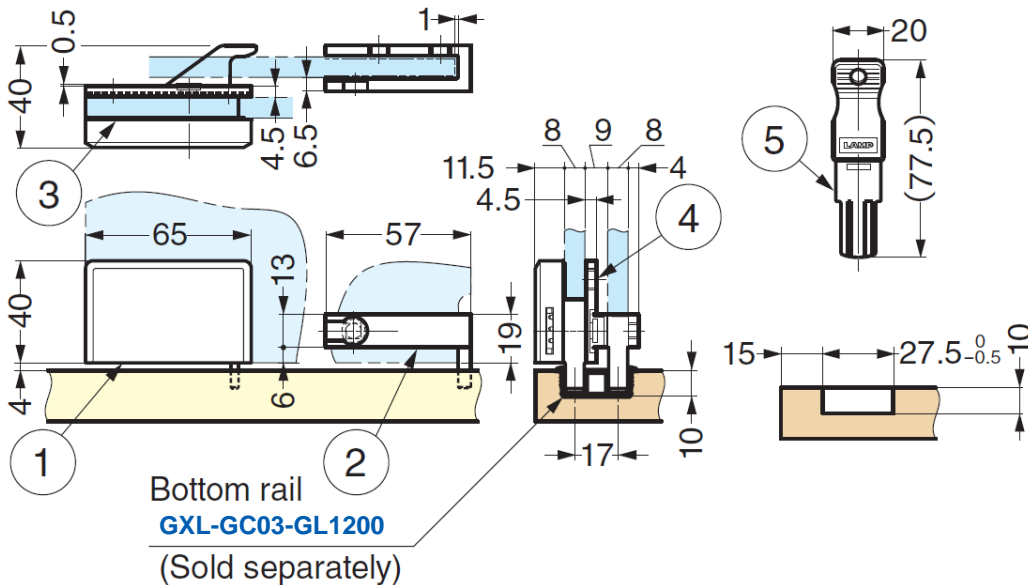
- GXL-GC03-GL1200



Cut Out Dimensions



No	Part Name	Material	Finish/Colour
①	Body	Zinc Alloy (ZDC)	Chrome
②	Strike	Zinc Alloy (ZDC)	Chrome
③	Spacer	Rubber	Black
④	Screws	Stainless Steel (SUS304)	Plain
⑤	Key	Brass/ABS	Nickel/Black



Part No.	Key Type	Glass Thickness
GXL-GC03-CR-B	Keyed Differently	8
GXL-GC03-CR-D	Keyed Alike	